

E-XHEAD[®]
swiss made

PRECISION
EXTRUSION
TECHNOLOGY

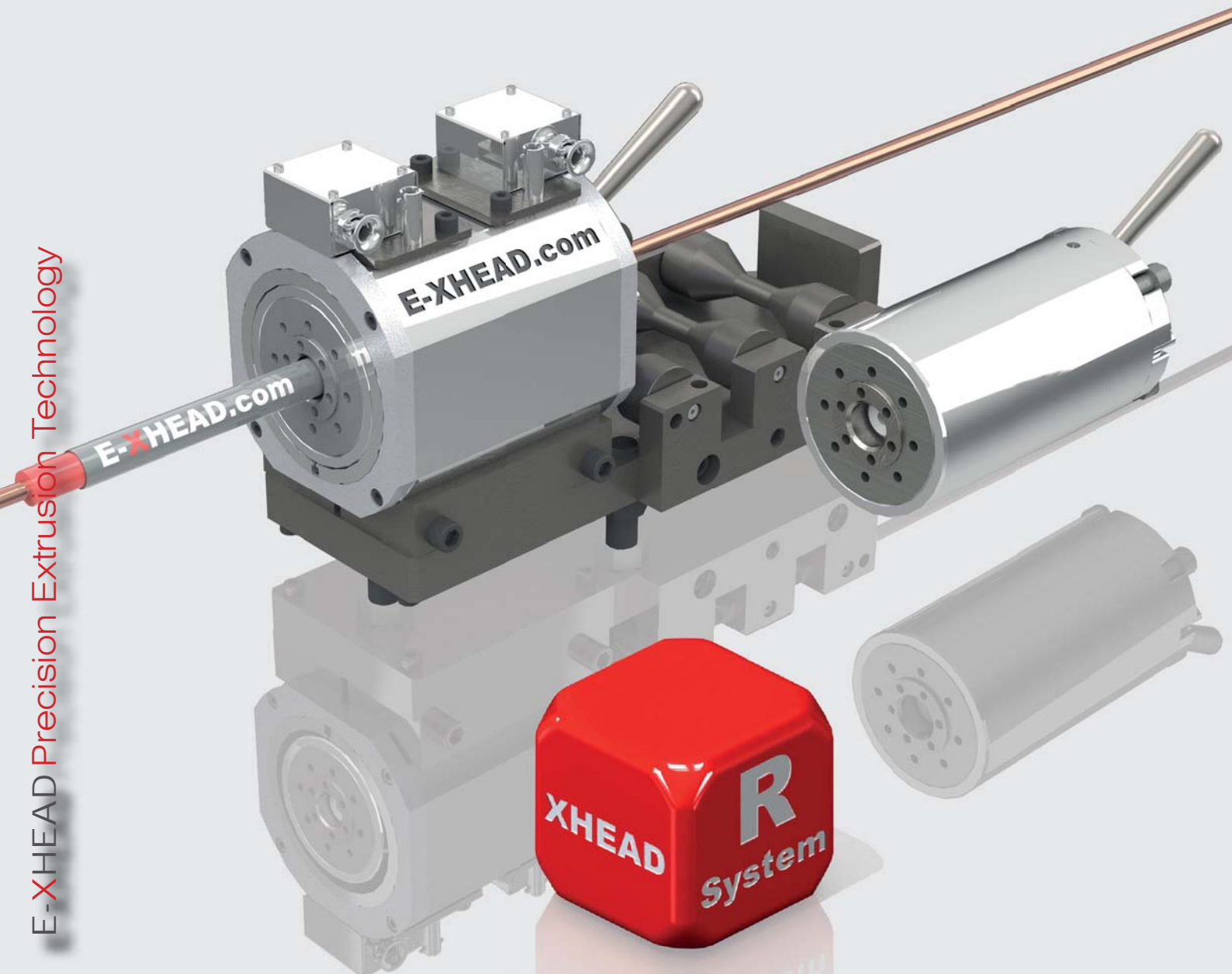
E-XHEAD.COM

LEADING
EXTRUSION
SOLUTIONS

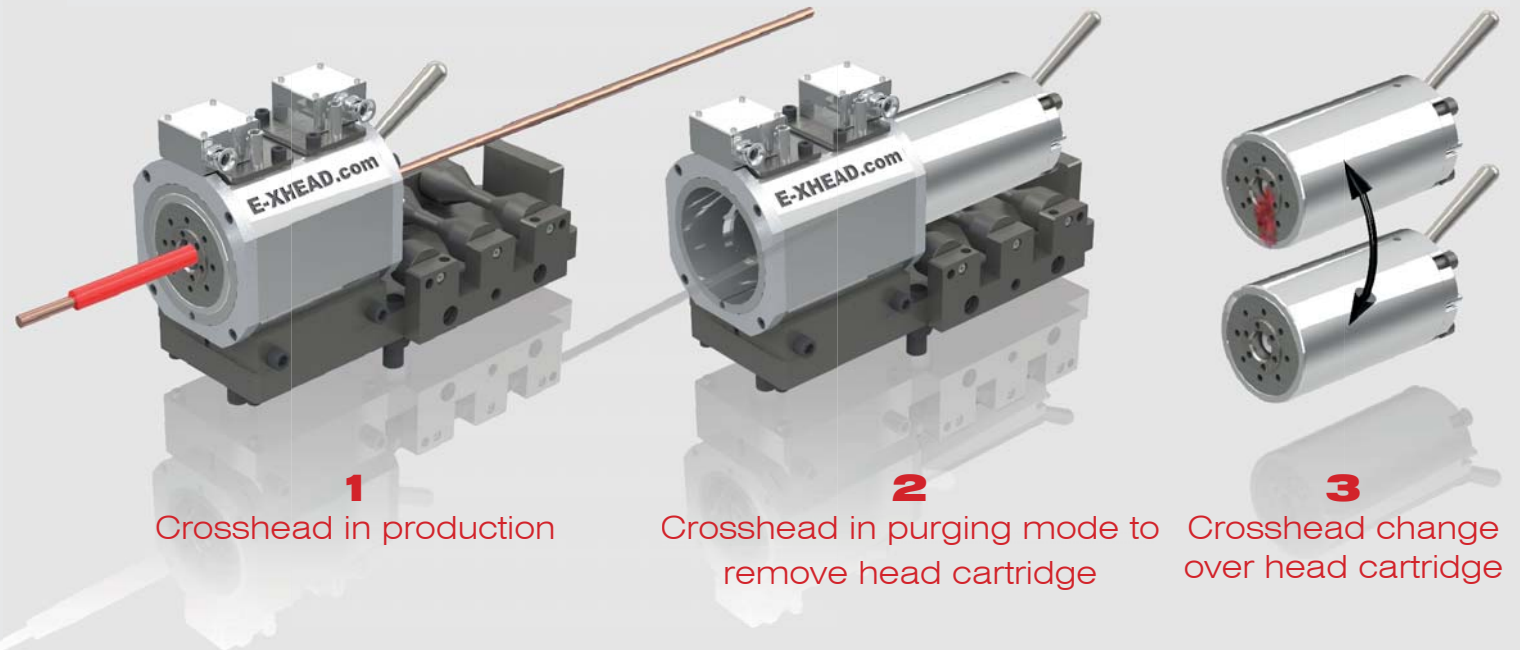
CROSSHEAD MODEL R

ULTRA QUICK TOOL / HEAD CHANGING SYSTEM

HEAD / TOOL CHANGE IN LESS FROM 1 TO 4 MINUTES
DRASTIC REDUCTION OF DOWN TIME AND SCRAP



R SYSTEM ULTRA QUICK HEAD CHANGE FROM 1 TO MAX 4 MINUTES



1
Crosshead in production

2
Crosshead in purging mode to remove head cartridge

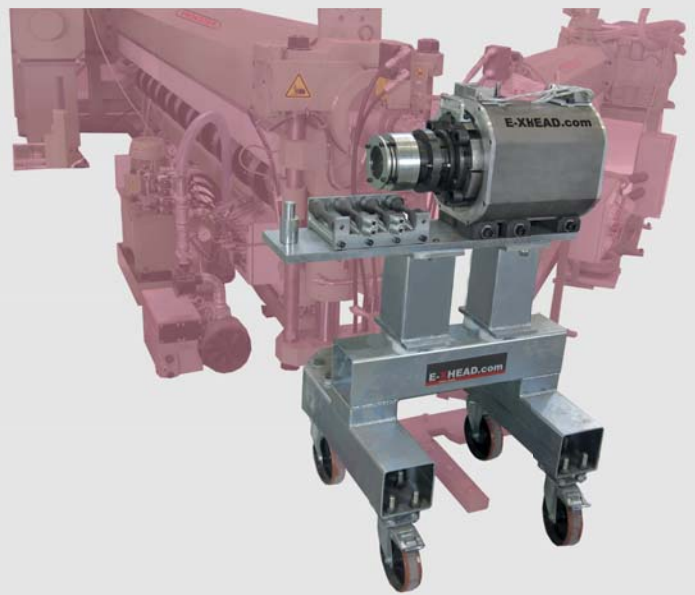
3
Crosshead change over head cartridge

E-XHEAD® Crosshead model R

Crosshead with Ultra Quick Head change over system
To change the crosshead or tools from 1 to max 4 minutes.

Main advantage we reduce drastically production down time due to tools or crosshead cleaning.

As example:
Standad Crosshead change time
60/70 model is **45 minutes**



R5 system change over time is maximum **4 minutes**.



R

E-XHEAD.com

MODEL	R1	R2	R3	R4	R5	R6
Max Conductor Ø	6mm	16mm	25mm	35mm	60mm	80mm
Max Insulation Ø	10mm	20mm	35mm	45mm	70mm	100mm
Skin / Stripes	✓	✓	✓	✓	✓	✓
Multi Layers (Coex)	✓	✓	✓	✓	✓	✓
Fixed Centre	✓	✓	✓	✓	✓	✓
Manual Center	✓	✓	✓	✓	✓	✓
FMC	✓	✓	✓	✓	✓	✓
Max. change over time (minute)	1	1	2	3	4	4